



## Door Products

AHPBaba provides high-quality Door for global buyers. We work closely with top manufacturers in China to deliver modern designs, premium materials, and precise craftsmanship for residential and commercial projects.

Our services support clients worldwide with competitive pricing, fast delivery, design customization, and full quality assurance – ensuring every project meets international standards.

**China All Over the World  
A-to-Z Door Products  
Better Quality & Better Pricing Than Local Markets Worldwide**

**China Office:**

+86-15501571292 - [info@ahpbaba.com](mailto:info@ahpbaba.com) - [www.ahpbaba.com](http://www.ahpbaba.com)  
B2-1910, Zhengkai Wanda Plaza, Wuhan, China.

**USA Office:**

+1 2147151010 - [imran@ahpbaba.com](mailto:imran@ahpbaba.com) - [www.ahpbaba.com](http://www.ahpbaba.com)  
13151 Emily rd # 100 Dallas TX 75240.



# EUROPEAN TYPE - FINGER-PROTECTION

## AVAILABLE COLORS

Due to the printing process, colors may vary.



Due to the printing process, colors may vary.



## SURFACE EMBOSMENT



## PANEL DESIGN



Classic cassette

Universal line

Two rib line

Top one line

Middle rib line

Micro wave line

Flat

Option: window

- 1 Assist angle
- 2 Top bracket
- 3 Roller
- 4 Motor
- 5 Torsion spring
- 6 Spring broken device
- 7 Tubular shaft
- 8 Cable drum
- 9 Upper track&horizontal track
- 10 Adjustable hinge
- 11 Middle hinge
- 12 Emergency lock
- 13 Bottom bracket
- 14 Handle
- 15 Vertical track
- 16 Door panel

## HARDWARE DESCRIPTION

Door may not open properly if installed near the top, depending on opening dimensions and lift type.



## CHOOSE YOUR CONSTRUCTION

The construction and insulation type improves energy efficiency, durability and noise control of the door.



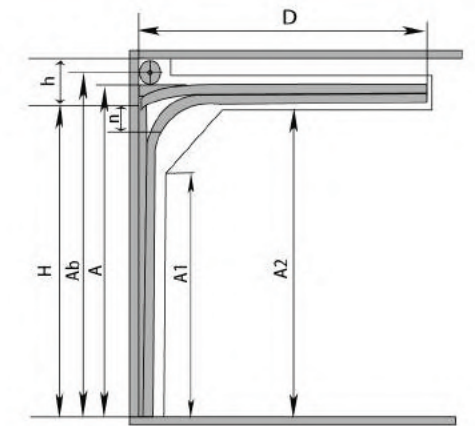
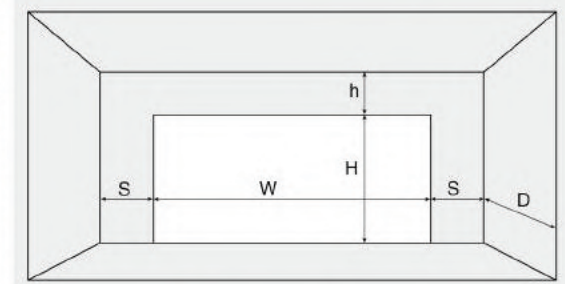
Panel width 430-600mm  
Panel thickness: 40mm  
Density: 45±2kg/m<sup>3</sup>  
Material: Galvanised steel  
Epoxy paint  
Foaming: B3 grade PU foam



Panel width 500mm  
Panel thickness: 40mm  
Density: 45±2kg/m<sup>3</sup>  
Material: Galvanised steel  
Epoxy paint  
Foaming: B3 grade PU foam  
with 1.0mm thickness reinforcement steel  
Sponge seal

## HOW TO MEASURE

Garage door sizes.

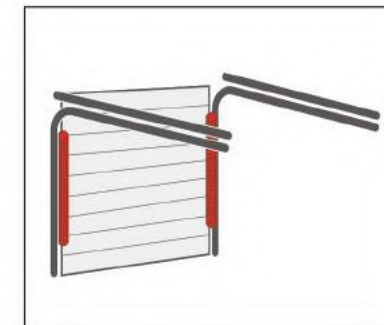


## RELIABLE OPERATION

A MODULAR SYSTEM WITH A UNIVERSALLY ADJUSTABLE RAIL SET.

### Extension Spring

Headroom min. 150mm (6")  
Economic  
For little installation space for the garage door.



### Torsion Spring- Single track

Headroom min. 350mm (14") without L-frame min. 450mm (18") with L-frame



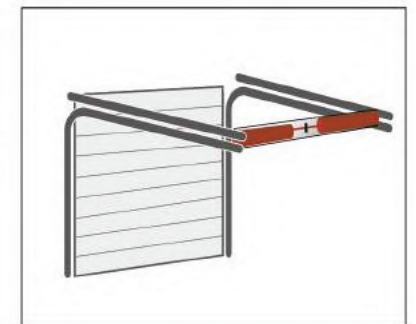
### Torsion Spring- Double track

Headroom: general required 250mm (10")  
Can adjust if headroom only 200mm (8")



### Rear Spring

Headroom min. 150mm (6")  
Upgrade, Protect and Extend

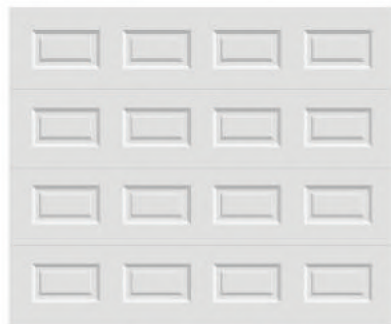




# AMERICAN TYPE

## CHOOSE YOUR GARAGE DOOR SIZE

Garage door sizes are generally categorized as single or double garage doors.



Single garage doors



Double garage doors

## AVAILABLE COLORS

Due to the printing process, colors may vary.



## CHOOSE YOUR CONSTRUCTION

**BEST INSULATION-2"**

ENERGY EFFICIENCY DURABILITY NOISE CONTROL

2" Insulation between two layers of steel  
 Panel width: 1 3/4", 1 3/5"  
 Panel thickness: 2"  
 Density: 45 ± 2kg/m3  
 Material: Galvanised steel  
 Foaming: B3 grade PU foam

**BETTER INSULATION-1 3/8"**

ENERGY EFFICIENCY DURABILITY NOISE CONTROL

1 3/8" Insulation between two layers of steel  
 Panel width: 1 3/4", 1 3/5"  
 Panel thickness: 1 3/8"  
 Density: 45 ± 2kg/m3  
 Material: Galvanised steel  
 Foaming: B3 grade PU foam

**NON-INSULATION**

ENERGY EFFICIENCY DURABILITY NOISE CONTROL

One layer of durable steel  
 Panel width: 1 3/4", 1 3/5"  
 Panel thickness: 1 3/8"  
 Material: Galvanised steel

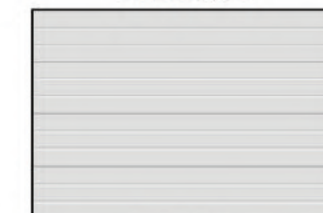
## PANEL DESIGN



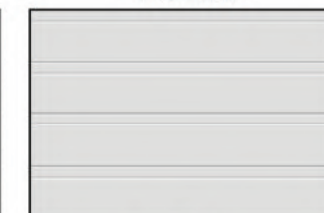
Classic cassette



Universal line



Two rib line



Top one line



Middle rib line



Micro wave line



Flat

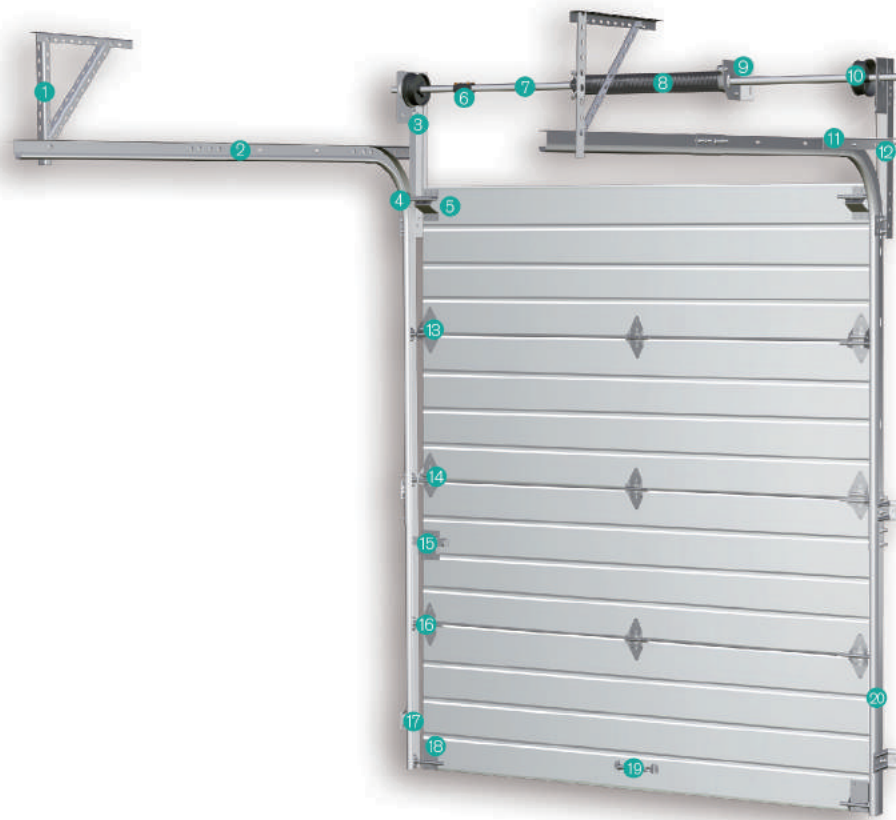


Option: window

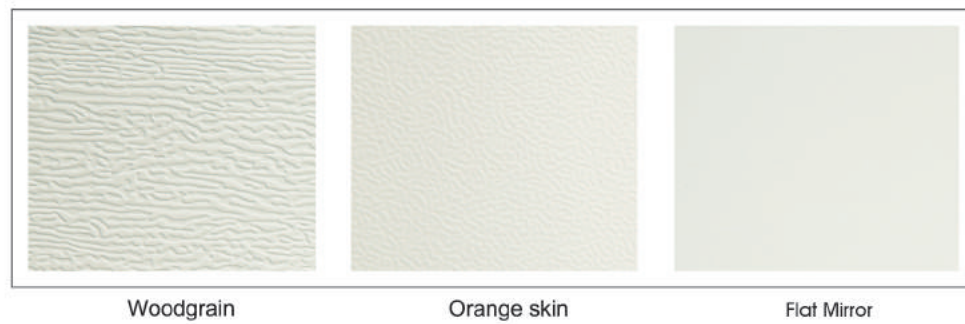
- 1 Assist angle
- 2 Horizontal track
- 3 Cable
- 4 Roller
- 5 Top bracket
- 6 Shaft coupler
- 7 Tubular shaft
- 8 Torsion spring
- 9 Middle bracket
- 10 Cable drum
- 11 Track connection
- 12 Flag bracket
- 13 3# Hinge
- 14 2# Hinge
- 15 Bolt lock
- 16 1# Hinge
- 17 Jamb bracket
- 18 Bottom bracket
- 19 Handle
- 20 Vertical track

## HARDWARE DESCRIPTION

Door may not open properly if installed near the top, depending on opening dimensions and lift type.

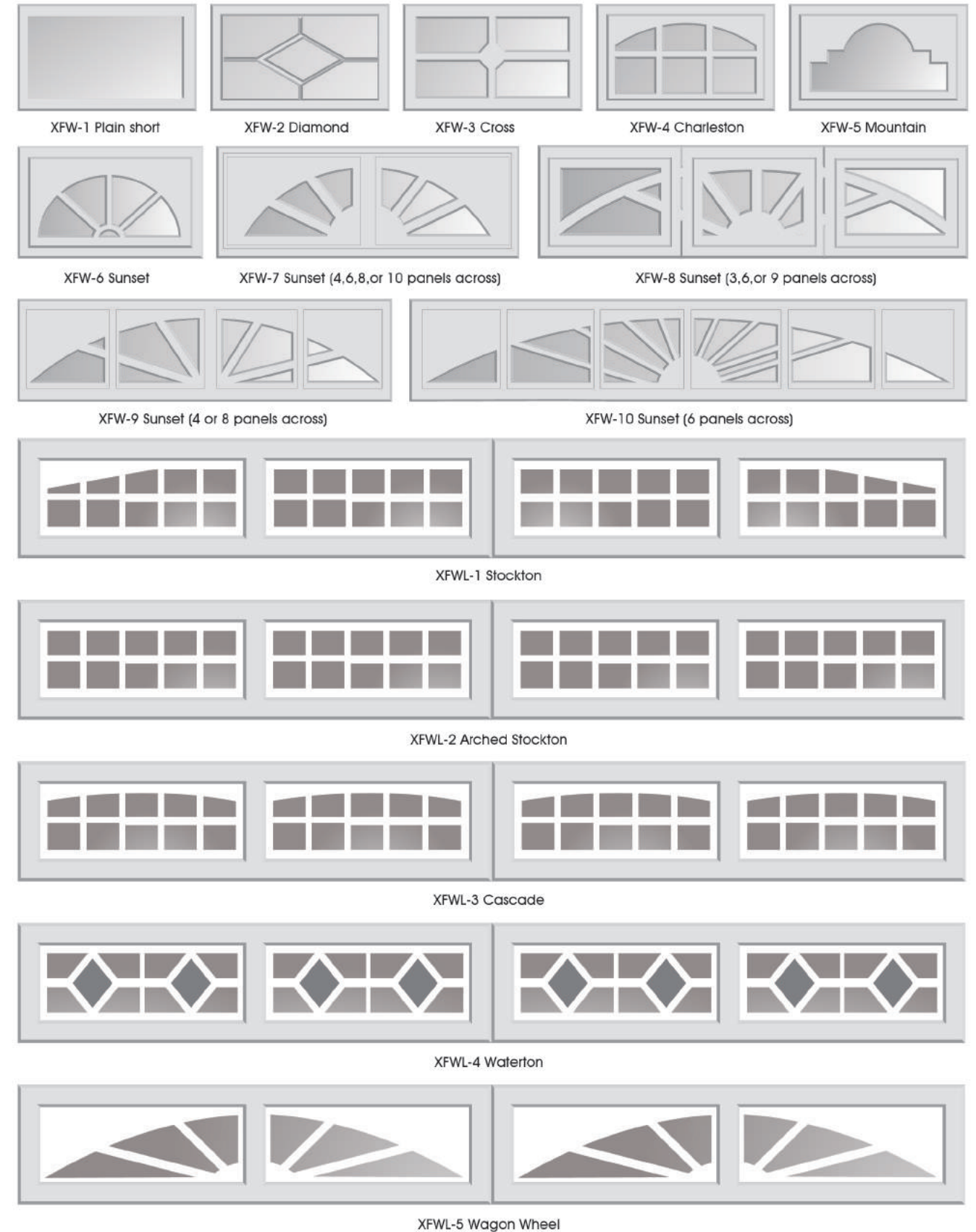


## SURFACE EMBOSSMENT



## AVAILABLE OPTIONS

The section/Windows options



## ADDITIONAL OPTIONS

The garage door opener & optional control devices.



Model	SA-600	SA-800	SA-1300
Rated Voltage	230V,50/60Hz	230V,50/60Hz	230V,50/60Hz
Output torque	600N	800N	1300N
Rated current	0.7A	0.8A	0.9A
Rated power	150W	180W	210W
Max. speed	160mm/s	150mm/s	150mm/s
Suit for door	9m <sup>2</sup>	13m <sup>2</sup>	18m <sup>2</sup>
Working temperature range	-20 °C ~ +60 °C		



Model	XFC-600	XFC-800	XFC-1000	XFC-1200	XFC-1500
Rated Voltage	110 or 220x(1±10%) VAC , 50/60Hz				
Output torque	600N	800N	1000N	1200N	1500N
DC motor	24V/7N	24V/8N	24V/8N	24V/8N	24V/8N
Rated current	2.5A	3.3A	4.1A	5A	6.25A
Rated power	80W	80W	100W	120W	150W
Max. speed	100mm/s	100mm/s	100mm/s	100mm/s	100mm/s
Suit for door	8-10m <sup>2</sup>	10-12m <sup>2</sup>	12-14m <sup>2</sup>	14-18m <sup>2</sup>	18-20m <sup>2</sup>
Working temperature range	-20°C ~ +40°C				

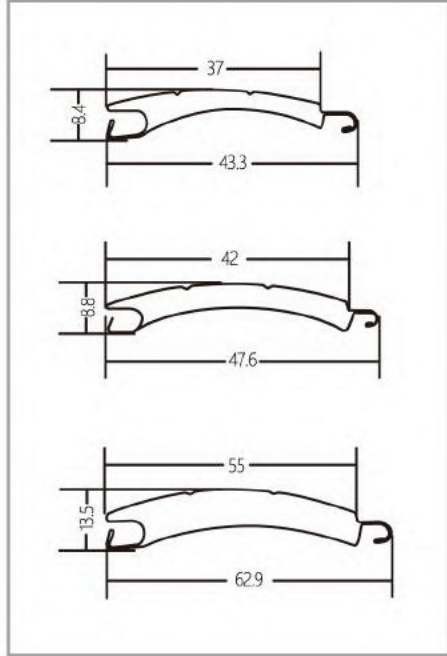


### Option:

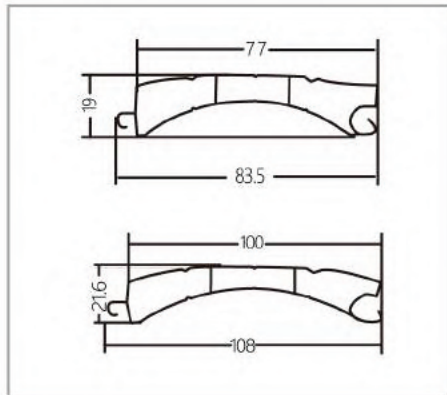
- Chain drive & belt drive
- 1/2/3 pcs rail as customer request
- Photocell
- Back-up Battery
- Radar
- Wire Wall Switch
- Wireless Wall Switch
- Code panel



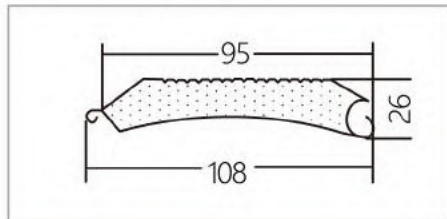
Aluminum shutter series for window  
Insulation, max. length 6000mm  
37mm/42mm/55mm



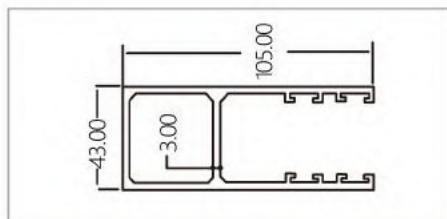
Aluminum shutter series for door  
Non-insulation or insulation, max. length 9000mm  
77mm/100mm



Steel shutter series for door  
Insulation, max. length 11800mm

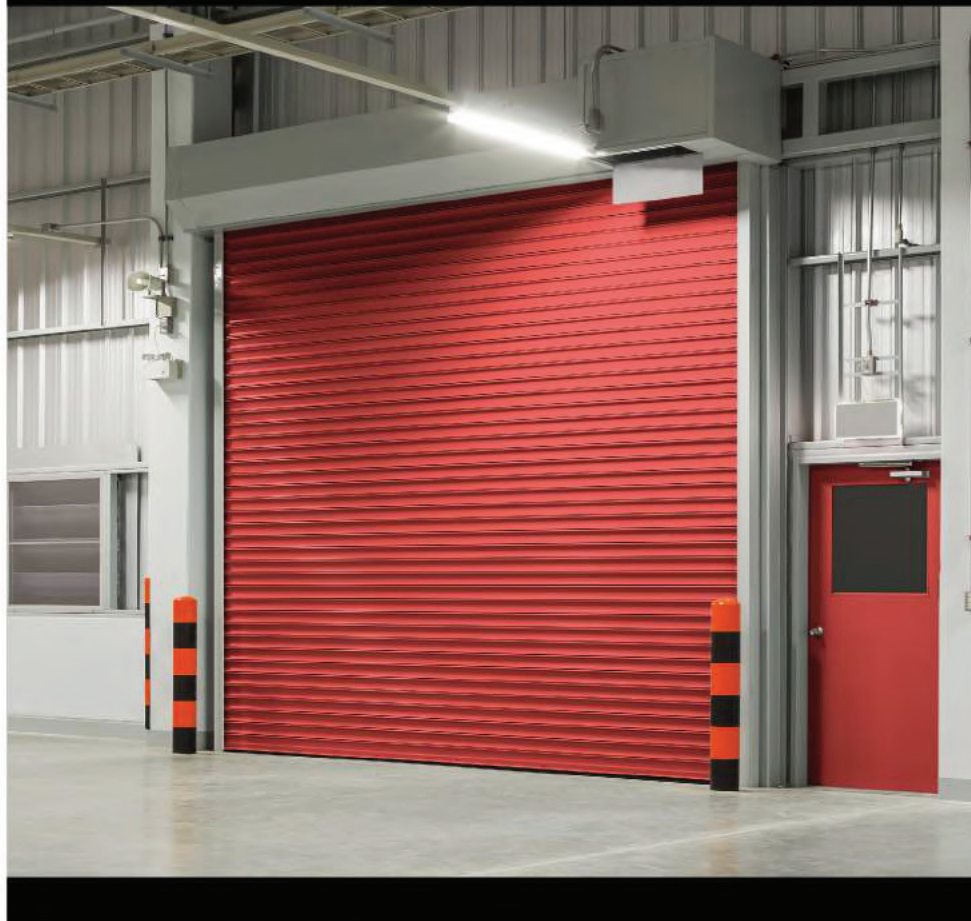


XF95 Track



## EUROPEAN SHUTTER DOOR

The european shutter door



## WINDPROOF ROLLING SHUTTER

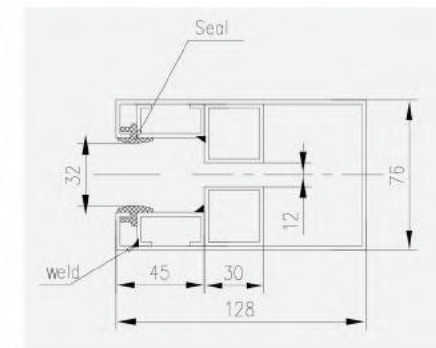
The Windproof rolling shutter



100 polyurethane foaming door panel available  
for heat preservation, heat insulation and sound  
insulation



Windproof rolling shutter  
Patent No.: ZL201220167671.3  
In the event of wind load, the windproof wheel  
holds on to the windproof rail to prevent the  
shutter curtain from derailing and play a role of  
resistance to wind.



Windproof rail  
Aluminum alloy or profiled bar material is an  
option in terms of the users' demand.



Rolling support (automatic adjustment mechanism  
of rolling door) Patent No.: ZL201220168038.6  
When opening or closing the rolling door, the rolling  
support makes automatic adjustment of the relative  
positions of the door body and the rail, hence  
reducing the resistance and extending the service  
life of the door.